

PERFORMANCE



DROP TEST
 Plastic TADDs = 10 feet
 Glass TADDs = Variable*



ALTITUDE TEST**
 Plastic TADDs = PASS
 Glass TADDs = PASS



HIGH TEMPERATURE TEST**
 Plastic TADDs = PASS
 Glass TADDs = PASS



LOW TEMPERATURE TEST**
 Plastic TADDs = PASS
 Glass TADDs = PASS



VIBRATION TEST
 Plastic TADDs = PASS
 Glass TADDs = PASS



8 FT WATER SUBMERSSION TEST
 Plastic TADDs = PASS
 Glass TADDs = PASS



2 FT GROUND BURIAL TEST
 Plastic TADDs = PASS
 Glass TADDs = PASS



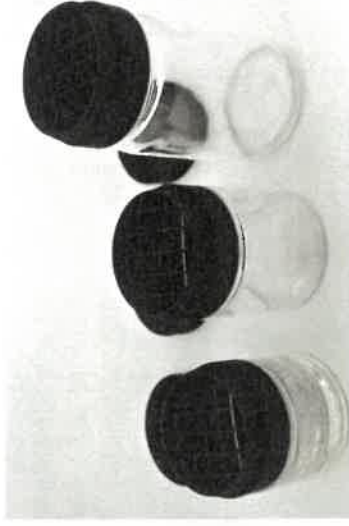
CRUSH TEST
 Plastic TADDs = PASS
 Glass TADDs = PASS

APPLICATIONS

SAR/HRD	Human Clinical Samples	Currency
Explosives	Diabetes Alert Dogs	Electronics
Narcotics	Endangered Species	Firearms
Arson	Invasive Species	Nose Work



SciKa9
 SCIENTIFIC CANINE SOLUTIONS™



**TRAINING AID DELIVERY
 DEVICE (TADD) INFORMATION**

**A containment system
 that allows the odor of
 your training aid out, but
NOT the training aid.**



USPTO Patent # 10,813,342

I received my TADD. Now what do I need to know?

The TADDs are only meant to be loaded once. This is because once the TADD membrane holder (containing the odor permeable membrane and gasket) is screwed onto the jar, we cannot guarantee that those three pieces will all screw together seamlessly (at the same time and under the same torque) upon subsequent applications on and off the jar.

Do not fill the TADD >75% full with solid or >50% full with liquid training aids; This allows ample space for thermal expansion/contraction. The less contact time between the training aid and the membrane, the longer the TADD's service-life.



What types of training aids can I put in a TADD?

Most training aids are compatible with the TADD. We have not found any issues with drugs, medical specimens, human remains, biological samples, and most explosives. We do not recommend using the TADD with peroxide explosives or liquid essential oils at this time.



What are some things to know about using the TADD?

- External and internal (on the inside of the cap) condensation is a normal occurrence on TADDs that experience rapid temperature changes. This is due to water vapor being able to cross the membrane and then cooling and re-forming into water droplets on the opposite side of the membrane. To reduce this phenomenon, allow TADDs to equilibrate to ambient temperature before use.
- Before submerging the TADD under water, please visit the website for more instructions.
- Plastic TADD jars can deform in high temperatures (e.g. > 150°F/65°C), such as those reached inside vehicles during hot days.
- When opening the TADD to load it for the first time, it is possible that the membrane holder parts came loose during shipping. To reassemble the membrane holder, odor permeable membrane, and properly seat the gasket, please watch the "How

To view at www.scik9.com/reassembly

What are some best practices?

1. Utilize blank/empty TADDs in training and testing to ensure that the odors associated with containment can be distinguished from target odor. Ideally use blanks in a 2:1 ratio to target odors. Remember to treat your empty TADDs in the same manner you treat your target odor TADDs, e.g., if you wash the target odor TADDs after a buried hide, then you should wash (using the same protocol) the empty TADD.
2. If possible, periodically change up the target odor's container/containment to ensure that it has not become a cue.

Where can I use the TADD?

Almost anywhere! The TADD has been thoroughly tested to ensure it is not the limiting factor in your training regimen. It can be buried in sand, soil, and clay. It can be submerged in ponds, lakes, and oceans.

How should I store my TADDs?

In accordance with all applicable safety and security guidelines. To preserve odor integrity and prevent cross-contamination, use secondary and tertiary containment systems such as a metallized odor barrier bag and an additional glass jar with solid metal cap. Always store your TADDs in the upright position and aim to prevent large temperature fluctuations.

How do I clean the TADD?

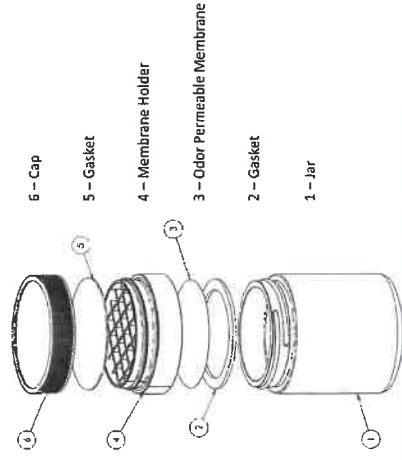
There are 3 cleaning protocols we recommend in order from least to most intensive. The liquids can be applied via spray or wipe and the TADD can be air dried or dried with a disposable lint-free wipe.

- Clean with **Water**, then dry
- Light spray with **70% isopropanol**, followed by water wash, then dry
- Clean with **1% Liquinox Solution**, followed by a light spray of 70% isopropanol, followed by 2-3 **water washes**, then dry.

A full list of cleaning supplies and detailed protocols can be found at www.scik9.com/clean

What if a TADD arrives damaged or broken?

If any item arrives damaged/broken, please email us a picture and we'll rectify the issue.



ASSEMBLY

1. Open the zip top bag. Use gloves to avoid adding human scent.

2. DISPOSE OF THE BLUE DIVIDER PAPER. It may be in the membrane holder or on the top of the jar. [Taking

3. Add the sample to the jar. [Taking the necessary handling precautions].

- Remember less than 50% full with liquids and less than 75% full with solids.

- Do not load or store TADD such that contents are in constant contact with membrane as this will decrease the TADD's service life.

4. Screw the membrane holder onto the jar. Ensure proper threading and do not over-tighten.

5. If security/tampering is a concern, apply the tamper-evident label. TADDs can also be labeled using a tungsten carbide etching pen.

6. To use the TADD in training, unscrew the TOP WHITE CAP while ensuring you are holding firmly onto the BLACK MEMBRANE HOLDER. Odor will now be able to flow out of the TADD through the membrane.

